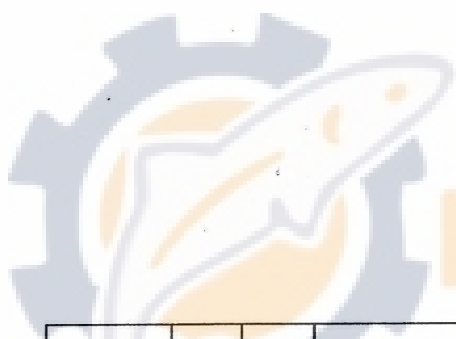
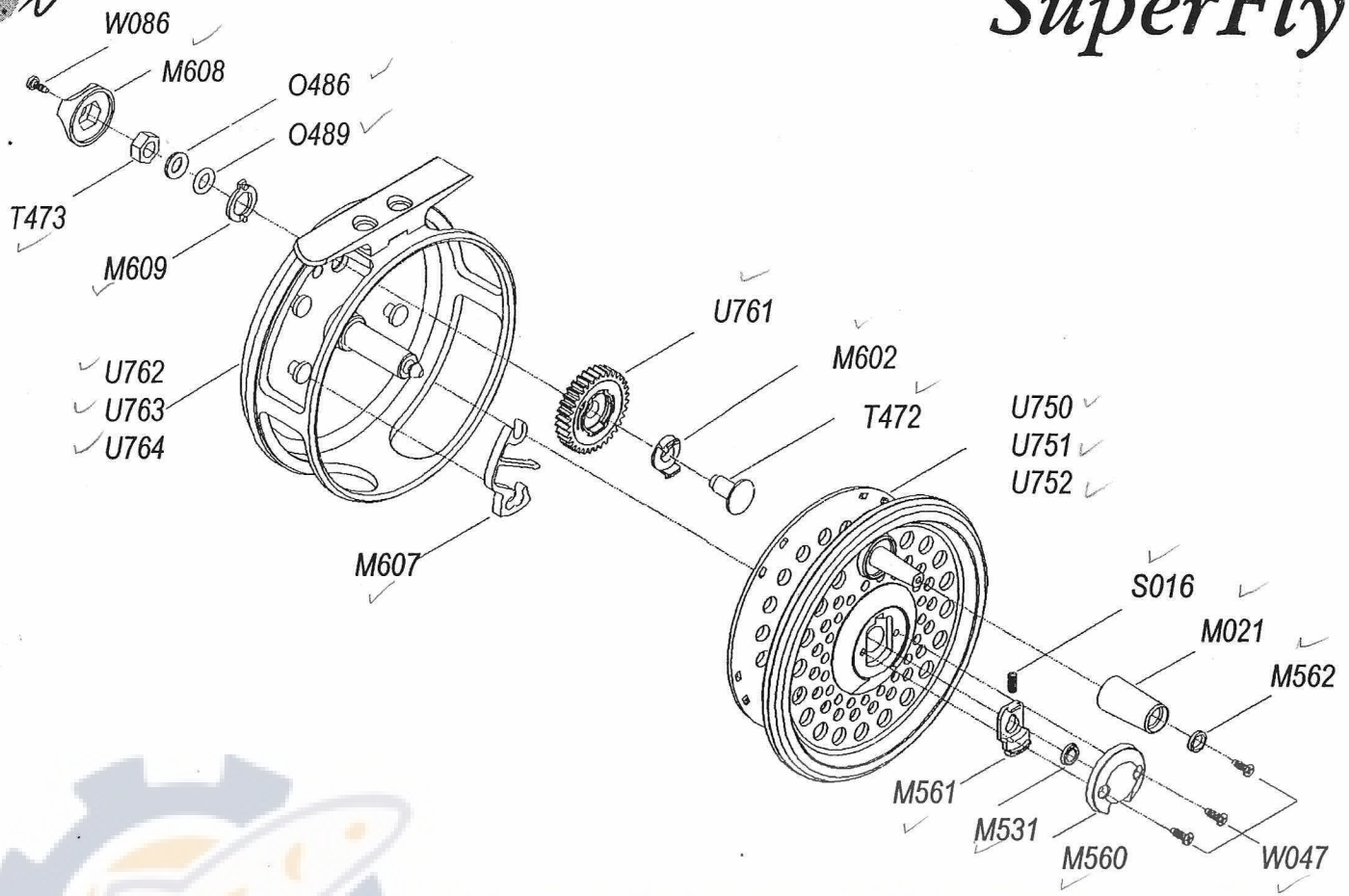


SuperFly



ReelSchematic

PRODUCT	REF	NO	SPOOL SUB-ASSY	SPOOL FRONT	SPOOL REAR	BODY SUB-ASSY	FOOT	BODY	CTR SPINDLE
	55	727	U750 BLACK	C484 C484 BLANK	M608	U762 BLACK	C434	C446	T350
SuperFly	75	728	U751 BLACK	C485 C485 BLANK	M609	U763 BLACK	C434	C447	T230
	95	729	U752 BLACK	C486 C486 BLANK	M600	U764 BLACK	C434	C448	T231

CORTLAND		538	U750 BLACK	C484 C484 BLANK	M608	U742 BLACK	C434	C452	T350
Crown Disc		539	U751 BLACK	C485 C485 BLANK	M609	U743 BLACK	C434	C453	T230
		540	U752 BLACK	C486 C486 BLANK	M600	U744 BLACK	C434	C454	T231